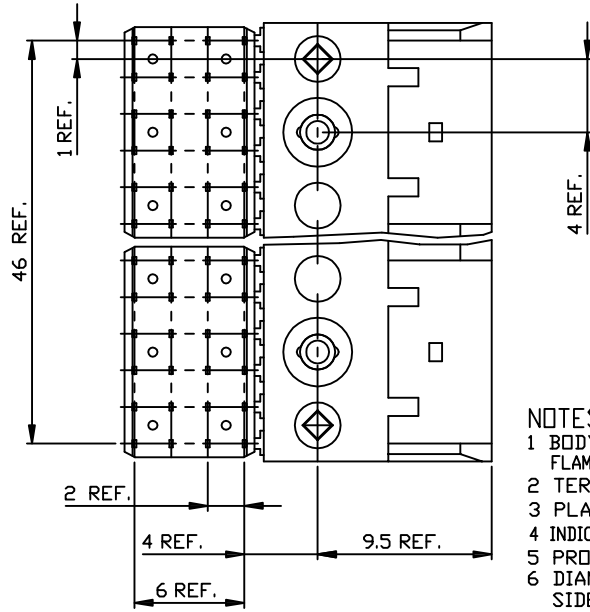
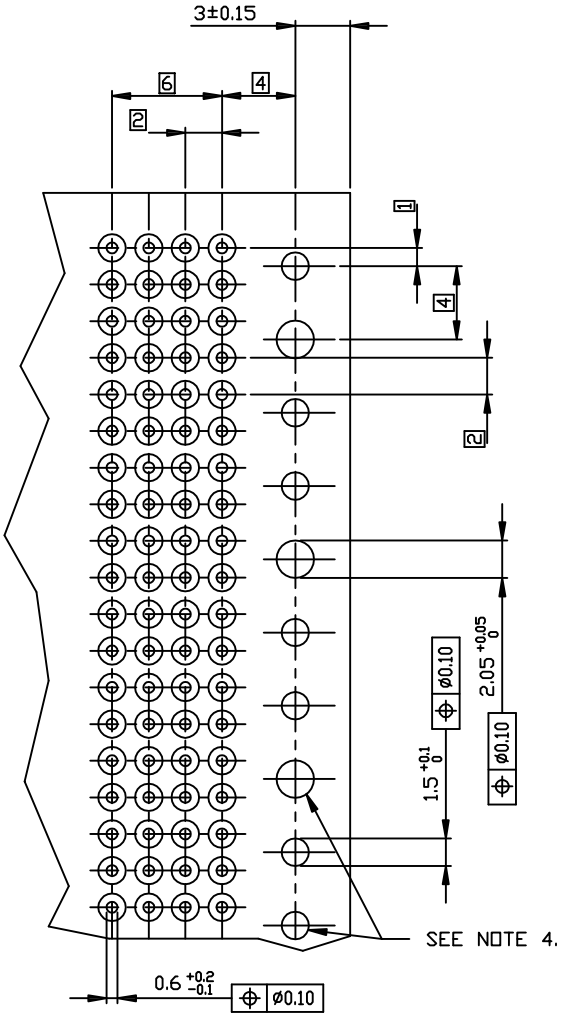
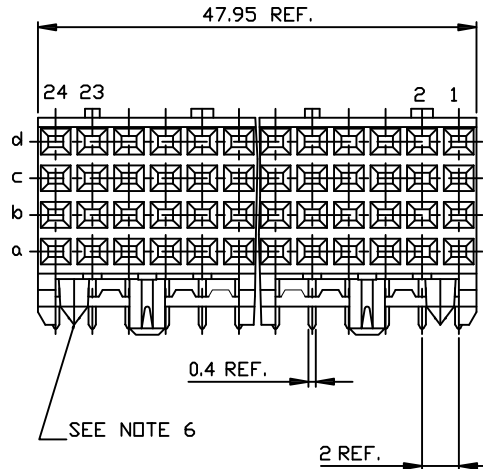
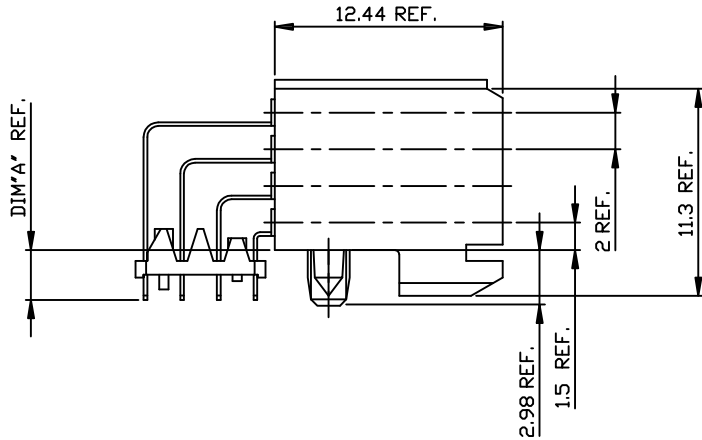
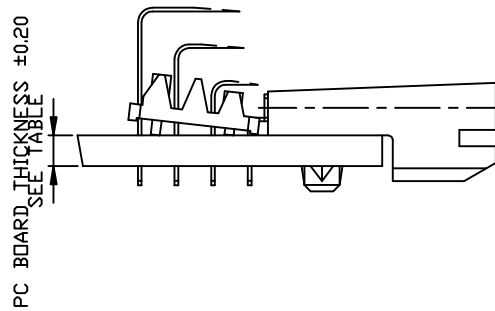


PC BOARD VERSIONS		
PRODUCTNR:	PCB THICKNESS	DIM'A'
89037-X01/X01LF	1.6	2.90
89037-X11/X11LF	2.4	3.53



PRODUCT AFTER PC BOARD APPLICATION.



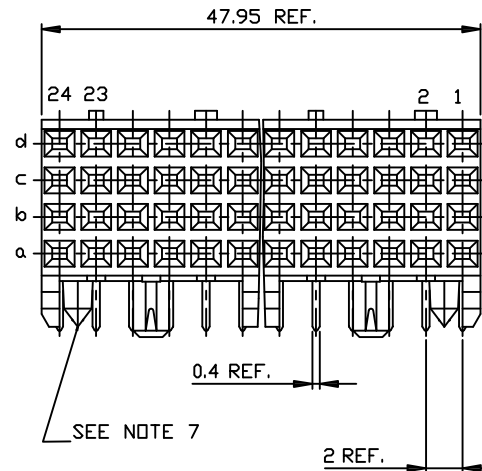
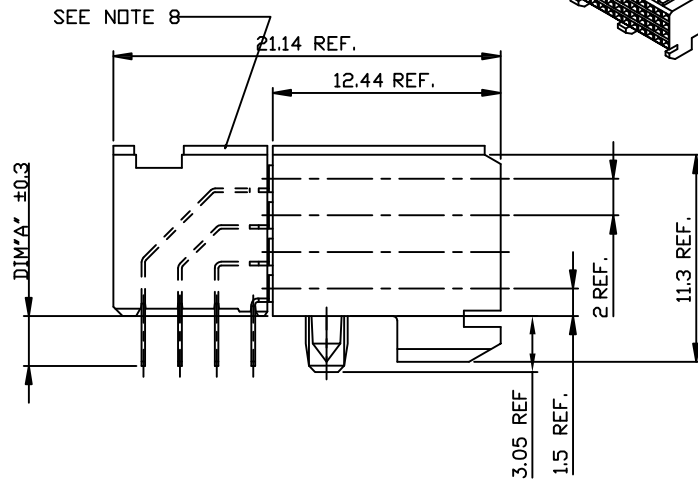
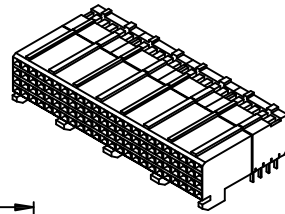
- NOTES:
- 1 BODY MAT'L: LIQUID CRYSTAL POLYMER 30% GLASS  
FLAME RETARDANT ACC. UL 94-V0
  - 2 TERMINAL MATERIAL: PHOSPHOR BRONZE.
  - 3 PLATING SOLDER TAILS 2-8 um SnPb 90-97 OR 2-8 um PURE Sn
  - 4 INDICATED HOLES ARE UNPLATED.
  - 5 PRODUCT MARKING: PART NUMBER & BATCH ID.
  - 6 DIAMOND LOCATION PEG ARE ONLY EXISTED ON THE BOTH SIDES OF PRODUCT.
  - 7 THIS PRODUCT MEETS EUROPEAN UNION DIRECTIVES AND OTHER COUNTRY REGULATIONS AS DESCRIBED IN GS-22-008.
  - 8 THE HOUSING WILL WITHSTAND EXPOSURE TO 260 DEGREE PEAK TEMPERATURE FOR 10 SECONDS IN A WAVE SOLDER APPLICATION.

All rights strictly reserved. Reproduction or use in any form without written authority from the proprietor.  
 Tous droits strictement réservés. Reproduction ou utilisation sans autorisation écrite du propriétaire.  
 Propriété de F.C.I. S.A.

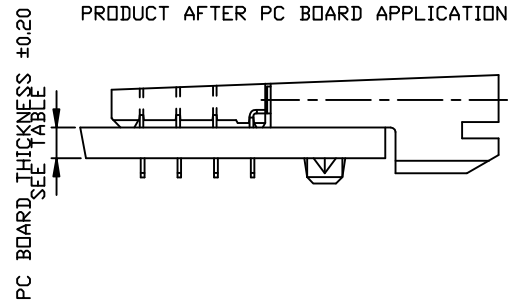
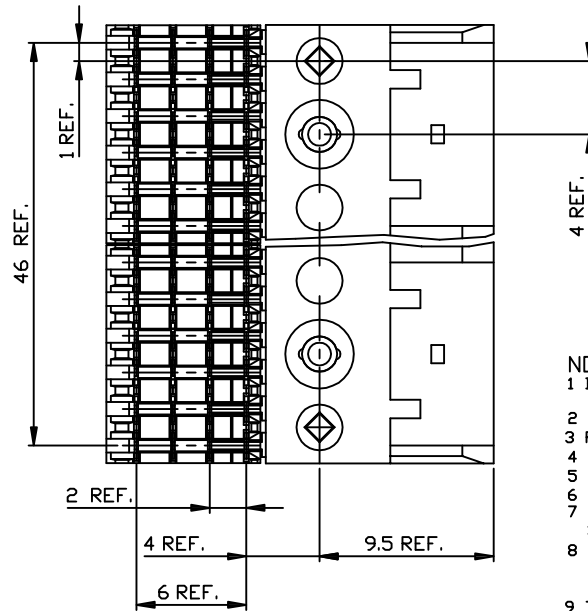
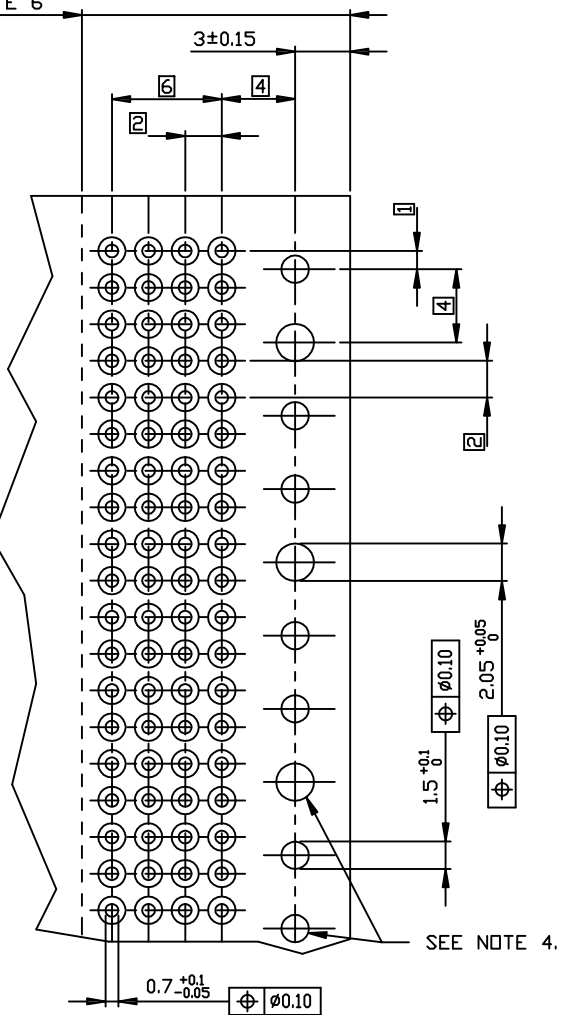
PLATING CONTACT AREA:	
DASH NR:	PERFORMANCE LEVEL:
-1YY/1YYLF	TELCORDIA CD
-2YY/2YYLF	CUSTOMER SPECIAL
-3YY/3YYLF	CUSTOMER SPECIAL
-9YY/9YYLF	TELCORDIA CD

mat'l. code		tolerances unless otherwise specified		CUSTOMER CDPY	FCI	
J	IG04-004	CLU	041221	linear	projection	title RA FEMALE SIGNAL
K	IG06-0478	CenH	11/23/06		size	48 mm PRESS PEG
L	IG07-0171	CenH	05/25/07	angles	scale	product family METRAL(tm)
M	IG08-0171	TER	8/26/08	dir	mm	code 213
				H.Boulinegt	930202	sheet 1 of 3
				engr H. Boulinegt	940311	
G	V00578	LLA	000316	chr	Slee	930203
H	V00847	LLA	000530	appd	J.Vintjes	930203
sheet	revision	M	M			
Index	sheet	1	2	3		

PC BOARD VERSIONS		
PRODUCTNR:	PCB THICKNESS	DIM"A"
89037-X02/X02LF	1.6	2.90
89037-X12/X12LF	2.4	3.53



14.64 REF. SEE NOTE 6



- NOTES:
- 1 BODY MAT'L: LIQUID CRYSTAL POLYMER 30% GLASS  
FLAME RETARDANT ACC. UL 94-V0
  - 2 TERMINAL MATERIAL: PHOSPHOR BRONZE.
  - 3 PLATING SOLDER TAILS 2-8  $\mu\text{m}$  SnPb 90-97 OR 2-8  $\mu\text{m}$  PURE Sn
  - 4 INDICATED HOLES ARE UNPLATED.
  - 5 PRODUCT MARKING: PARTNUMBER & BATCH ID.
  - 6 SET BACK FOR PRESS BLOCK.
  - 7 DIAMOND LOCATION PEG ARE ONLY EXISTED ON THE BOTH SIDES OF PRODUCT.
  - 8 TOP SURFACE OF PRESS BLOCK MAY EXTEND UP TO 0.4MM HIGHER THAN HOUSING. THIS MAY AFFECT THE TAIL LENGTH BEFORE APPLICATION TO A BOARD
  - 9 THIS PRODUCT MEETS EUROPEAN UNION DIRECTIVES AND OTHER COUNTRY REGULATIONS AS DESCRIBED INGS-22-008.
  - 10 THE HOUSING WILL WITHSTAND EXPOSURE TO 260DEGREE PEAK TEMPERATURE FOR 10 SECONDS IN A WAVE SOLDER APPLICATION.

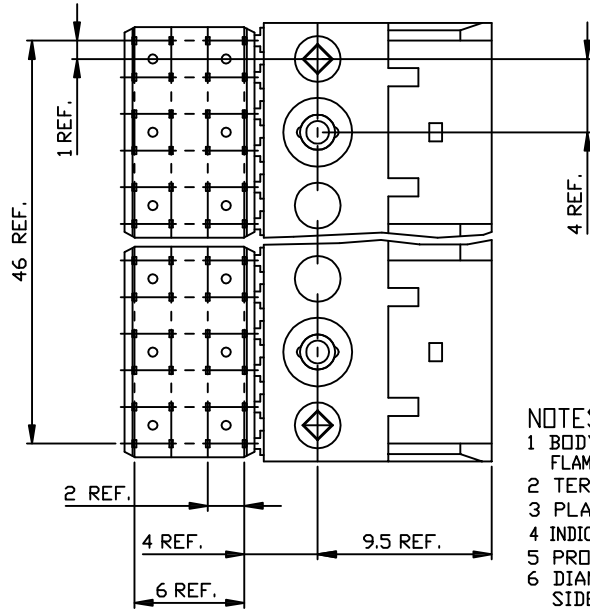
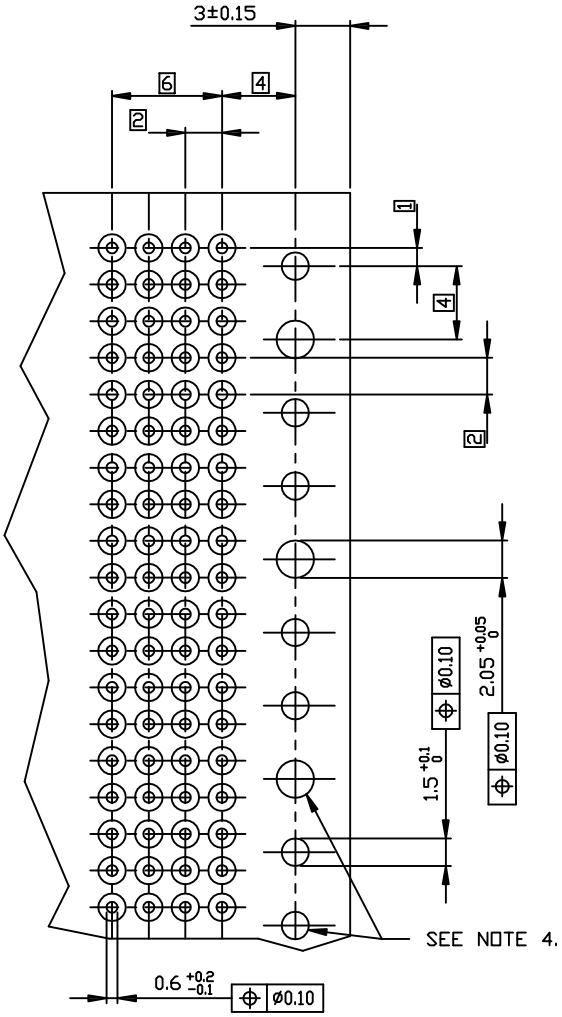
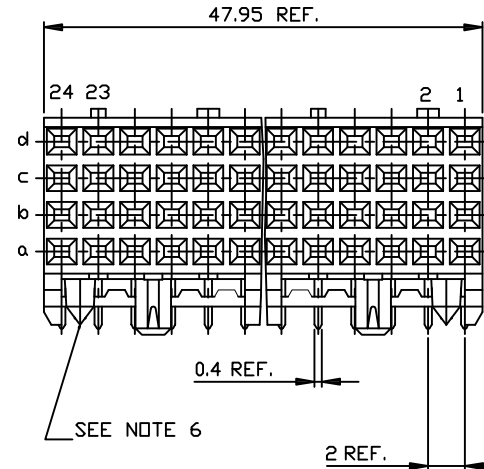
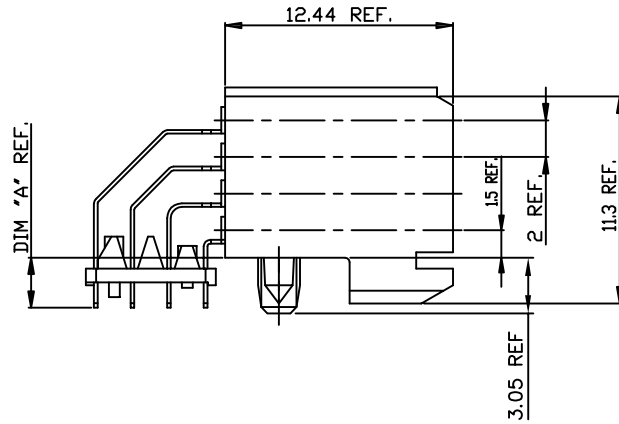
RECOMMENDED HOLE PATTERN, COMPONENT SIDE.

PLATING CONTACT AREA:

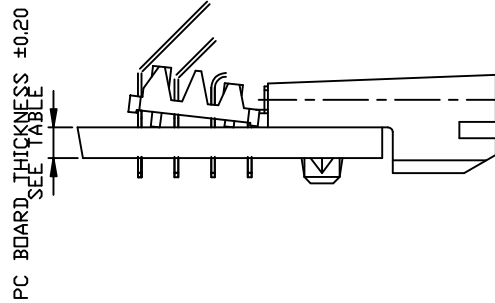
DASH NR:	PERFORMANCE LEVEL:
-1YY/1YYLF	TELCORDIA CO
-2YY/2YYLF	CUSTOMER SPECIAL
-3YY/3YYLF	CUSTOMER SPECIAL
-9YY/9YYLF	TELCORDIA CO

mat'l. code		tolerances unless otherwise specified		CUSTOMER COPY		 www.fciconnection.com	
l	tr	ec	n	o	dr	date	
linear		projection		title		RA FEMALE SIGNAL	
angles				size		dwg no	
dir	Il	de	Bl	970529	product family		METRAL(tn)
engr	P. Schalk	970529	scale		code		213
chr	P. Schalk	970529	5d		sheet		2 of 2
app	H. Coolmans	970529			sheet		
sheet	revision						
Index	sheet						

PC BOARD VERSIONS		
PRODUCTNR:	PCB THICKNESS	DIM"A"
89037-X03/X03LF	1.6	2.90
89037-X13/X13LF	2.4	3.53



PRODUCT AFTER PC BOARD APPLICATION.



NOTES:

- 1 BODY MAT'L: LIQUID CRYSTAL POLYMER 30% GLASS  
FLAME RETARDANT ACC. UL 94-V0
- 2 TERMINAL MATERIAL: PHOSPHOR BRONZE.
- 3 PLATING SOLDER TAILS 2-8 um SnPb 90-97 OR 2-8 um PURE Sn
- 4 INDICATED HOLES ARE UNPLATED.
- 5 PRODUCT MARKING: PART NUMBER & BATCH ID.
- 6 DIAMOND LOCATION PEG ARE ONLY EXISTED ON THE BOTH SIDES OF PRODUCT.
- 7 THIS PRODUCT MEETS EUROPEAN UNION DIRECTIVES AND OTHER COUNTRY REGULATIONS AS DESCRIBED IN GS-22-008.
- 8 THE HOUSING WILL WITHSTAND EXPOSURE TO 260 DEGREE PEAK TEMPERATURE FOR 10 SECONDS IN A WAVE SOLDER APPLICATION.

PLATING CONTACT AREA:

DASH NR:	PERFORMANCE LEVEL:
-1YY/1YYLF	TELCORDIA CO
-2YY/2YYLF	CUSTOMER SPECIAL
-3YY/3YYLF	CUSTOMER SPECIAL
-9YY/9YYLF	TELCORDIA CO

mat'l code		tolerances unless otherwise specified		CUSTOMER CDPY		 www.fciconnection.com	
ltr	ecnr	ndr	date	linear	projection	title RA FEMALE SIGNAL 48 mm PRESS PEG	
				angles		product family METRAL(tn) code 213	
				dir Heaven Cen 11/23/06	mm	sizedwg no	
				engr Collins Lu 11/23/06	scale 5:1	89037 sheet 3 of-	
				chr Beer Fu 11/23/06			
				app Joseph Hsla 11/23/06			
sheet revision							
Index sheet							

All rights strictly reserved. Reproduction or issue do third parties in any form without written authority from the proprietor. FCI Inc.